

# Miniature Precision Pressure Regulator

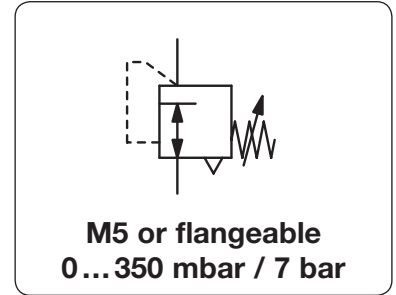
RT

Miniature



1

<b>Description</b>	Compact, high-precision, diaphragm-operated pressure regulator for panel-mounting, ink systems, analyzing equipment and hand-held calibration devices.	
<b>Media</b>	non-corrosive gases, filtered, lubricated or unlubricated compressed air	
<b>Supply pressure</b>	max. 17 bar	
<b>Air consumption</b>	ca 1.5 l/min at 7 bar supply pressure	
<b>Adjustment</b>	by handwheel with locknut	
<b>Relieving function</b>	relieving	
<b>Gauge port</b>	RT-M5: gauge port M5	RT-MF: not available
<b>Mounting position:</b>	any	
<b>Temperature range</b>	0 °C to 70 °C / 32 °F to 158 °F, for appropriately conditioned compressed air down to -30 °C / -22 °F	
<b>Material</b>	Body: anodized aluminium Elastomer: FKM Inner valve: stainless steel and brass	



Dimensions			Flow rate	Supply pressure	Connection thread	Pressure range	Order Number
A	B	C	l/min*1	max. bar	M5 / flange	bar	

Pressure regulator M5				supply pressure max. 17 bar, with constant bleed	RT		
25	83	14.5	100	17	M5	0...0.35 0...1.1 0...2.1 0...4.2 0...7.0	RT-M5A RT-M5B RT-M5C RT-M5D RT-M5E

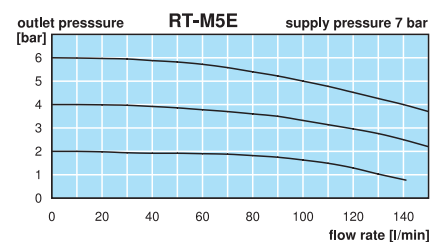
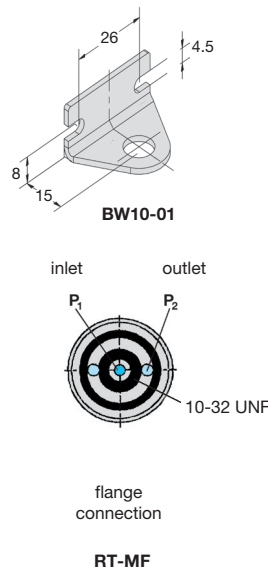
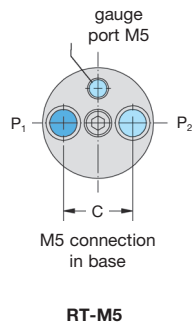
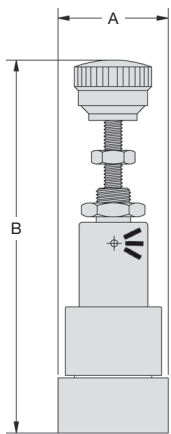
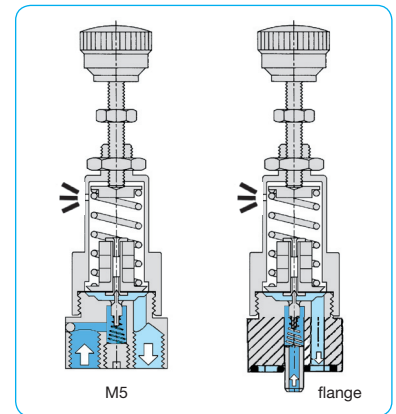


Regulator with flange				supply pressure max. 17 bar, with constant bleed	RT		
25	83	-	100	17	flange	0...0.35 0...1.1 0...2.1 0...4.2 0...7.0	RT-MFA RT-MFB RT-MFC RT-MFD RT-MFE



Special options, add the appropriate letter		
side connection	M5 or o-ring	RT-M...X14
1/16" NPT	ports with female threads	RT-M...X61

Accessories, enclosed		
mounting bracket	made of steel, mounting nut at the device	BW10-01



\*1 for compressed air: 7 bar supply pressure, 6 bar outlet pressure and 1 bar pressure drop

PDF CAD  
www.aircom.net

Order example:  
RT-M5A